



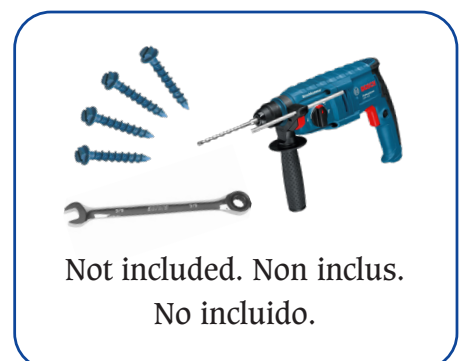
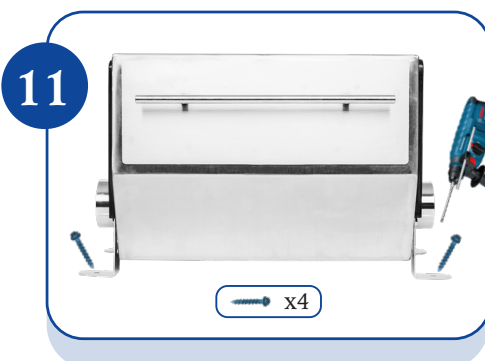
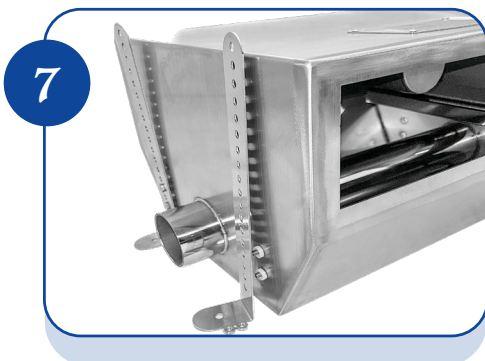
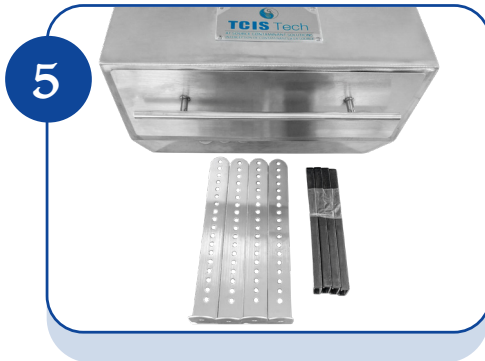
TCIS Tech

AT SOURCE CONTAMINANT SOLUTIONS
INTERCEPTION DE CONTAMINANTS À LA SOURCE

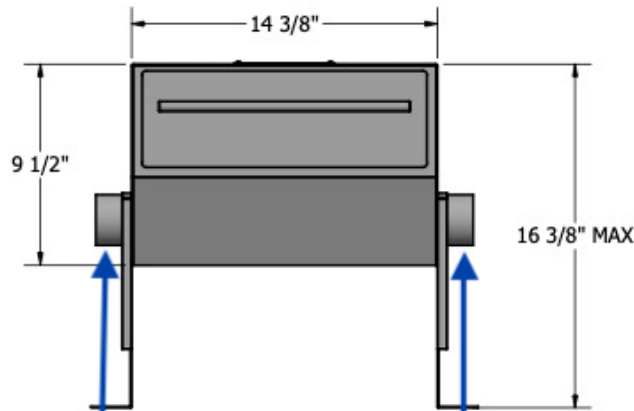
www.tcistech.com

info@tcistech.com

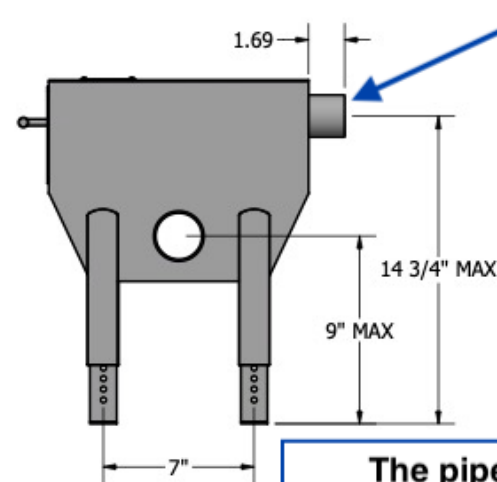
GMR1000-SS



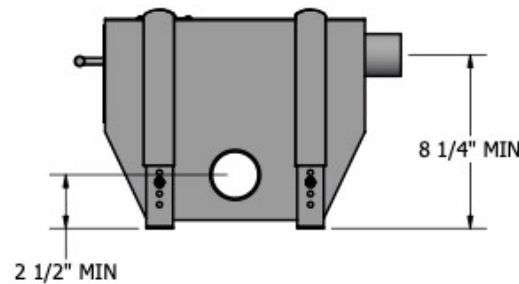
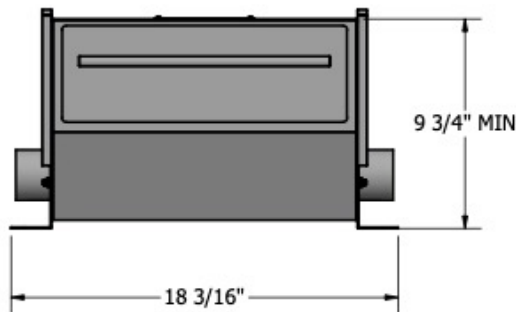
GMR1000-SS



Choice:
1 = 2" Outlet
1 = 2" Cleanout
(C/O Plug not included)



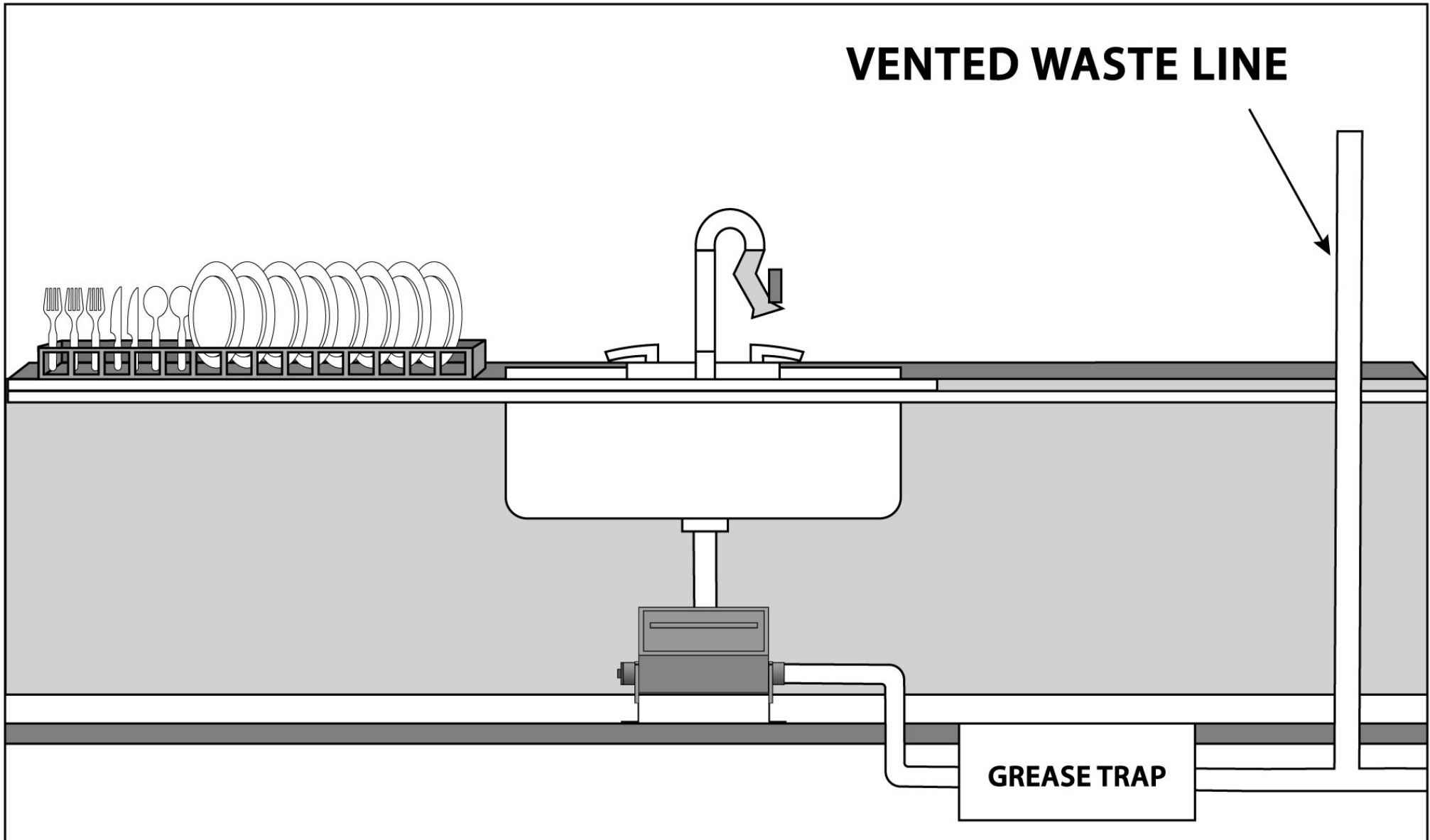
The pipe exiting the wall should be:
Minimum 2" in diameter
Minimum 3" from floor to center of pipe
Maximum 6" from floor to center of pipe



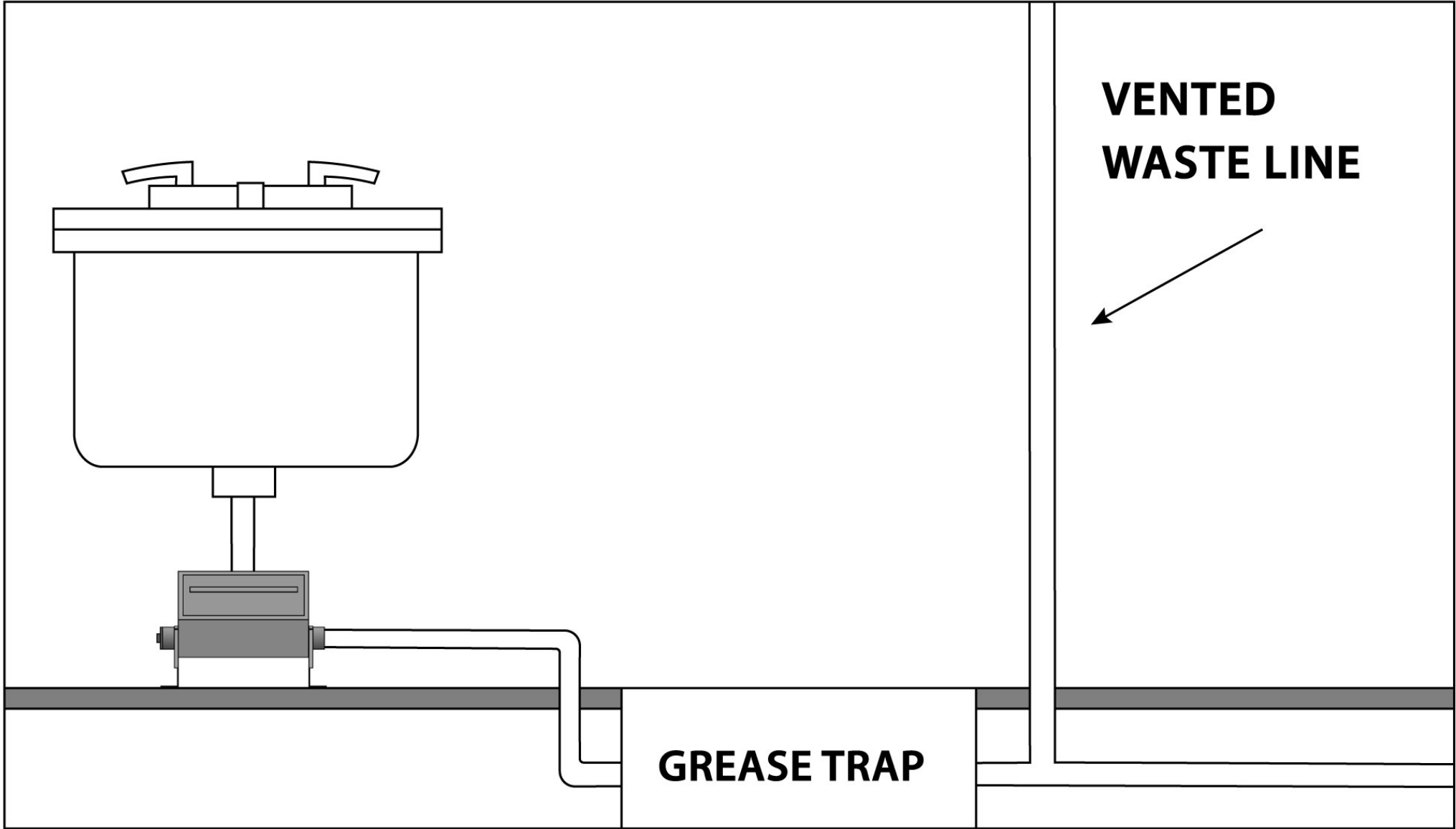
No need to install P-trap
GMR has an integrated
P-trap within

Always verify dimensions before, as all sink heights may differ

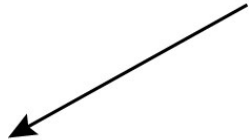
VENTED WASTE LINE



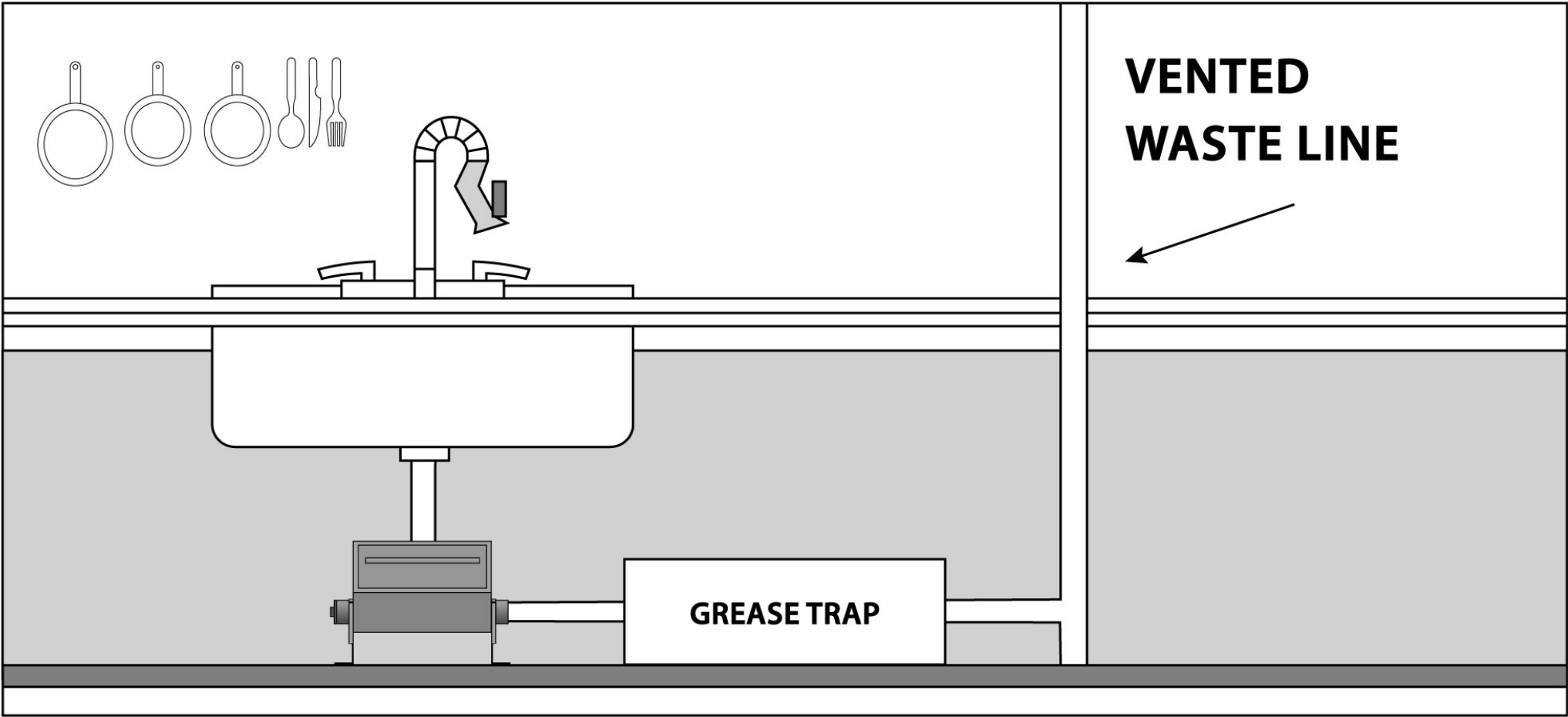
GREASE TRAP



**VENTED
WASTE LINE**



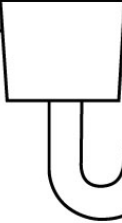
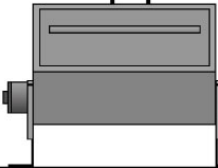
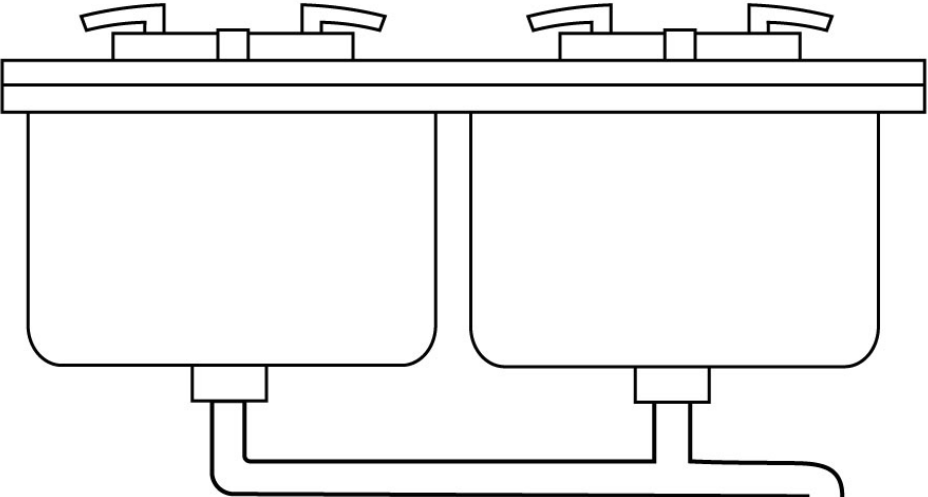
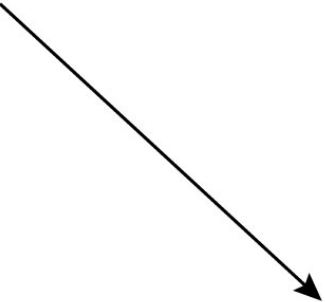
GREASE TRAP



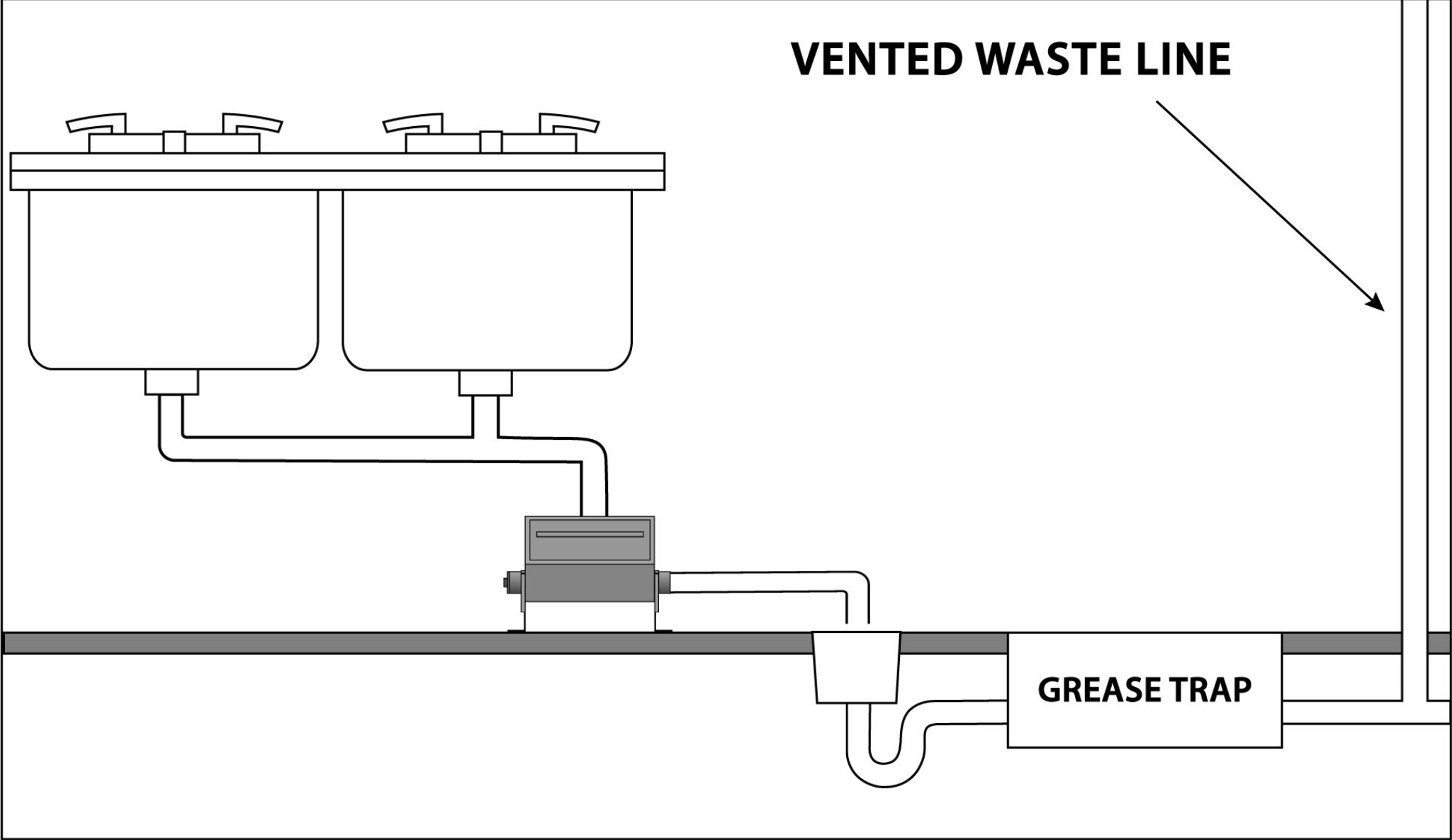
**VENTED
WASTE LINE**

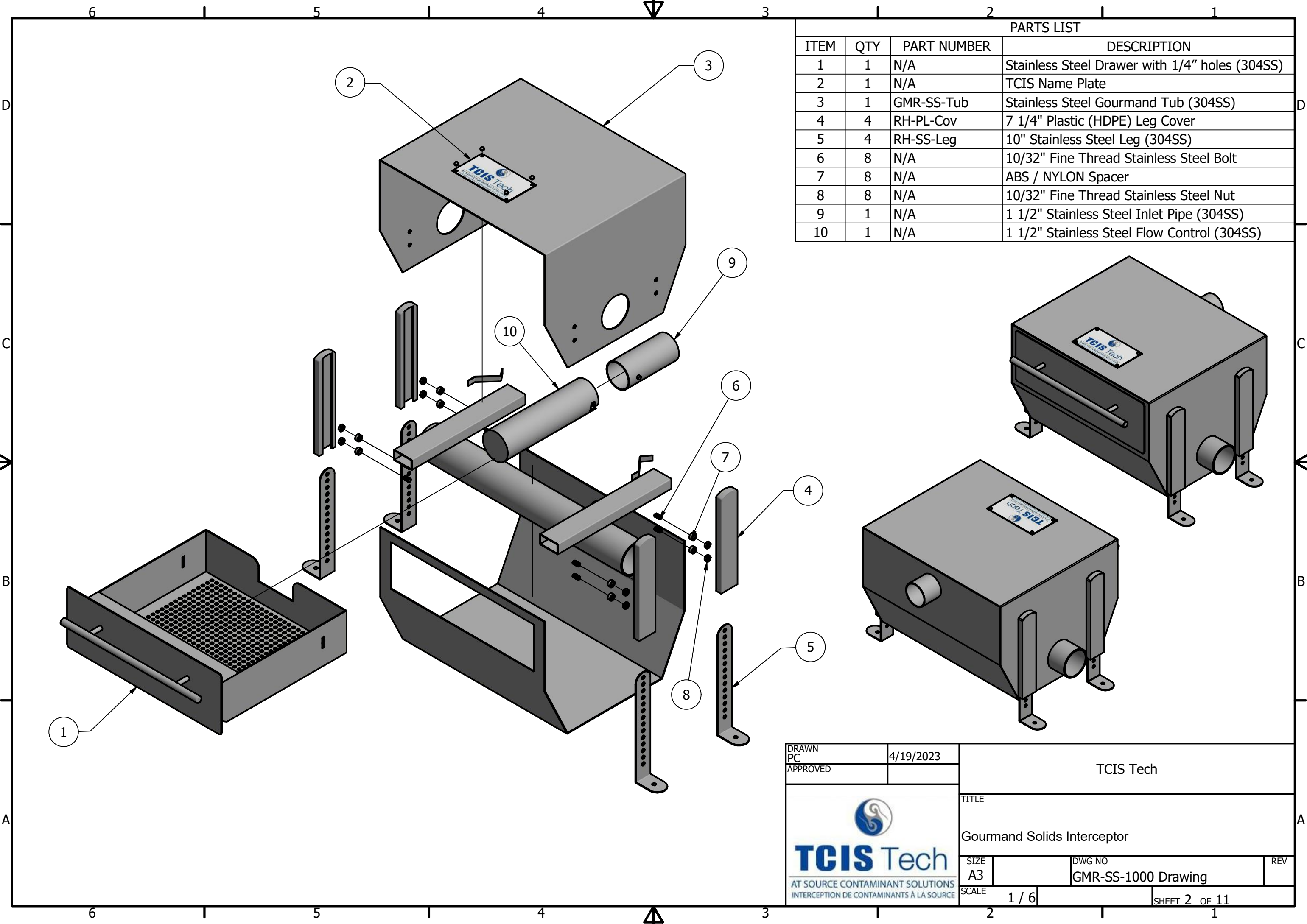
GREASE TRAP

VENTED WASTE LINE

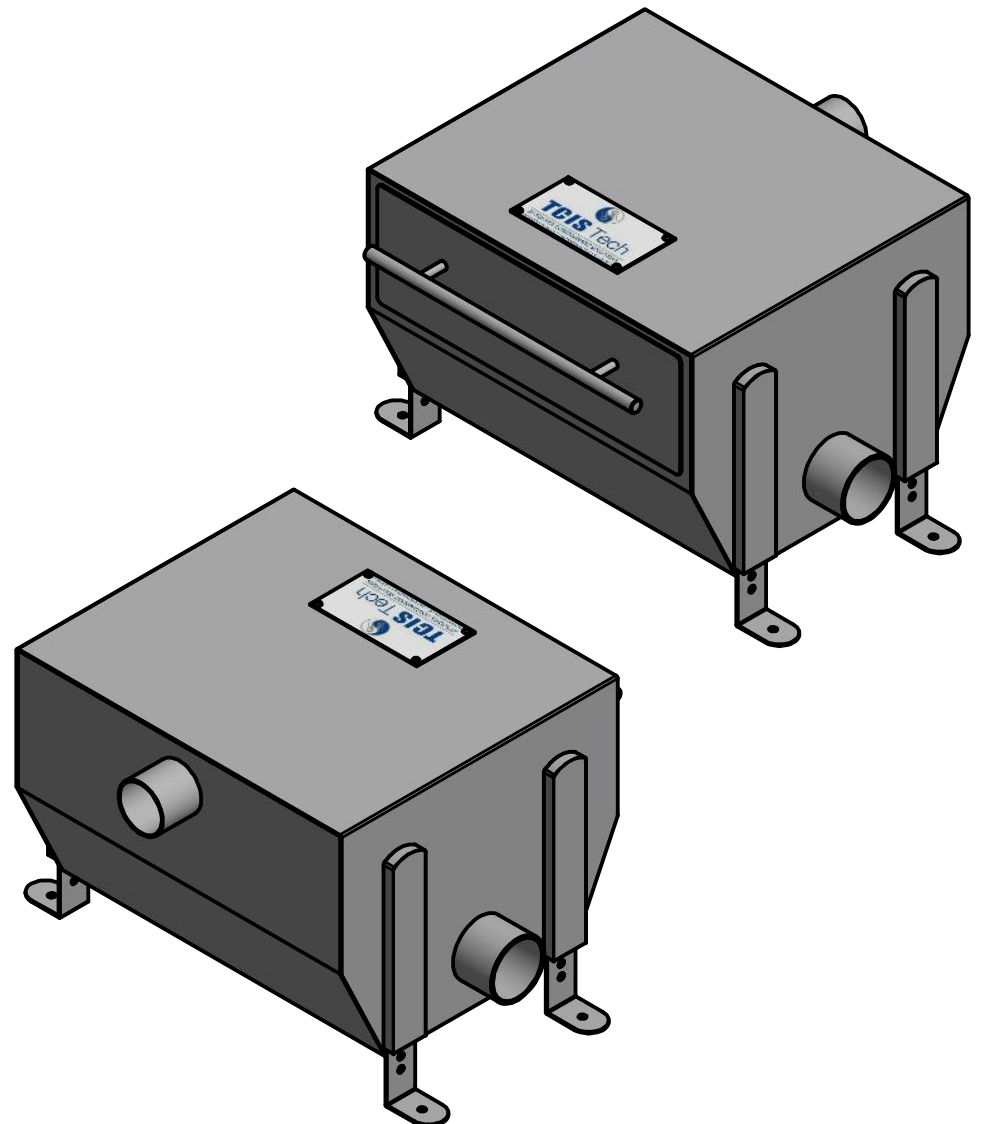



GREASE TRAP





PARTS LIST			
ITEM	QTY	PART NUMBER	DESCRIPTION
1	1	N/A	Stainless Steel Drawer with 1/4" holes (304SS)
2	1	N/A	TCIS Name Plate
3	1	GMR-SS-Tub	Stainless Steel Gourmand Tub (304SS)
4	4	RH-PL-Cov	7 1/4" Plastic (HDPE) Leg Cover
5	4	RH-SS-Leg	10" Stainless Steel Leg (304SS)
6	8	N/A	10/32" Fine Thread Stainless Steel Bolt
7	8	N/A	ABS / NYLON Spacer
8	8	N/A	10/32" Fine Thread Stainless Steel Nut
9	1	N/A	1 1/2" Stainless Steel Inlet Pipe (304SS)
10	1	N/A	1 1/2" Stainless Steel Flow Control (304SS)



DRAWN PC APPROVED	4/19/2023	TCIS Tech	
		TITLE Gourmand Solids Interceptor	
SIZE A3	DWG NO GMR-SS-1000 Drawing	REV	
SCALE 1 / 6	SHEET 2 OF 11		

<u>Instructions</u>	<u>Instructions</u>	<u>instrucción</u>
1. En commençant votre horaire de travail, veuillez-vous assurer que le tiroir est vide et bien le rincer.	1. When starting your shift, verify if the drawer strainer has been well emptied and rinsed clean.	1. Empezando por su puesto de trabajo, garantizar que el cajon es vacuidad y solido necesario enjuagar.
2. Pendant votre travail, vérifier la quantité de solides qui pourraient s'accumuler dans le panier tiroir, car si celui-ci est plein, il débordera.	2. During working hours, be assured to check quantity of solids in the drawer strainer to avoid overflow.	2. Durante su trabajo, controlar la cantidad de material que de todo derivarse.
3. À la fin de chaque quart de travail, vous devez retirer le panier tiroir et le vider au composte. Pour terminer, remplir le lavabo d'eau chaude pour ensuite le vider au complet afin de nettoyer le module.	3. At the end of your shift, clean the drawer and discard the solids in composting bin. Fill the sink with hot water and let it drain out completely in order to clean the unit.	3. Y la fin a cada de trabajo debe retirar cajon vacuidadcompostar Para concluir rellenarlavabo agua calienteentonces sole vacuidad para limpiar

