



# TCIS Tech

AT SOURCE CONTAMINANT SOLUTIONS  
INTERCEPTION DE CONTAMINANTS À LA SOURCE

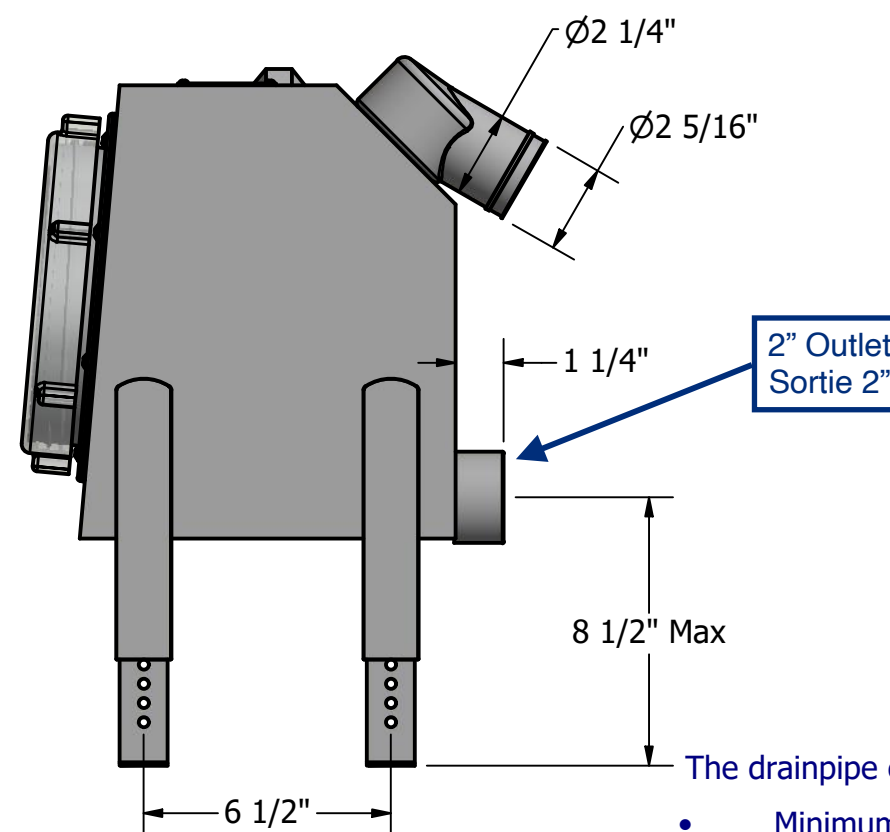
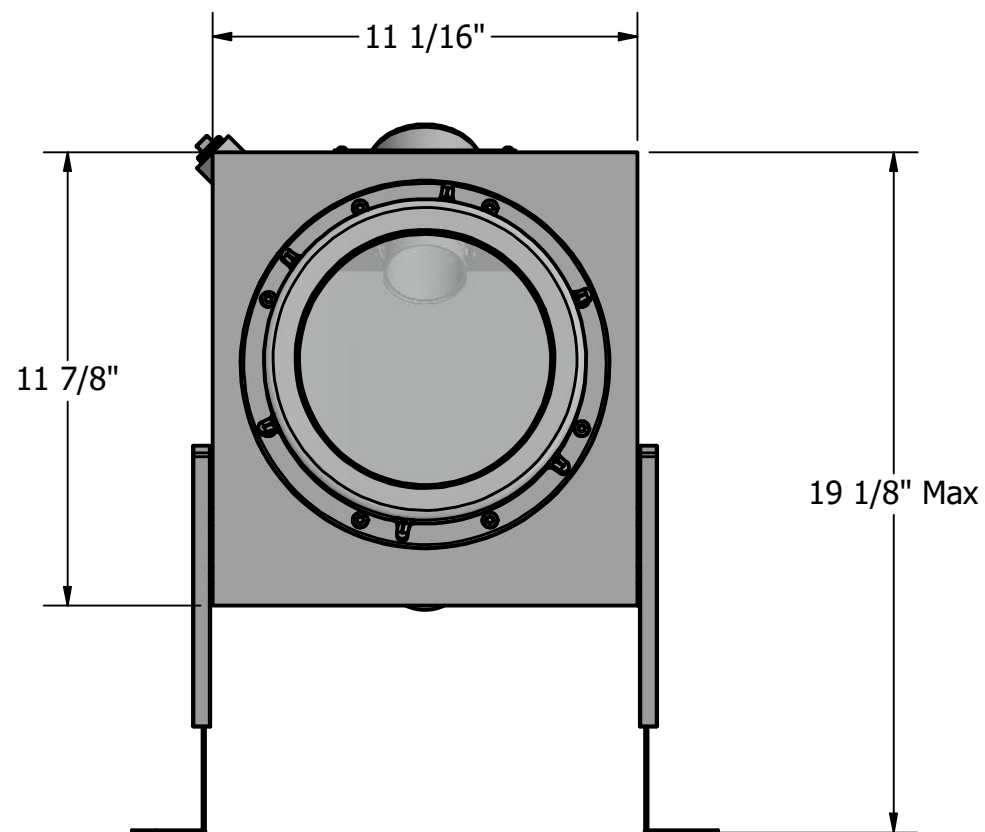
[www.tcistech.com](http://www.tcistech.com)

[info@tcistech.com](mailto:info@tcistech.com)

GTC1000-SS



# GTC1000-SS



The drainpipe exiting the wall should be:

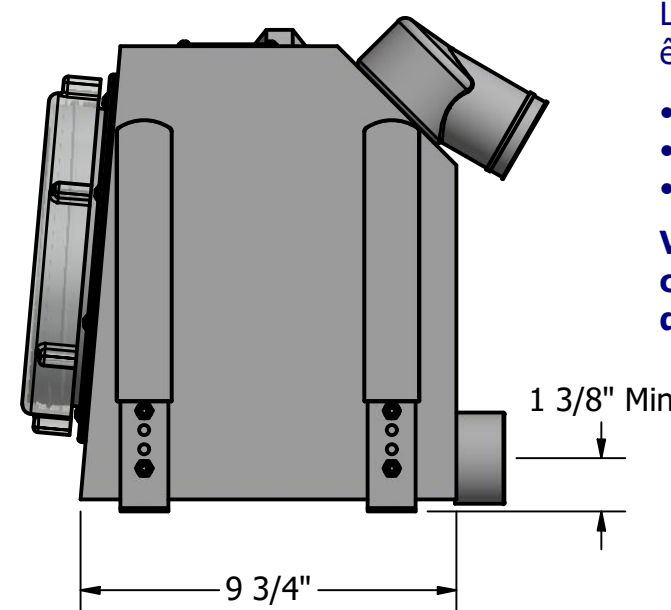
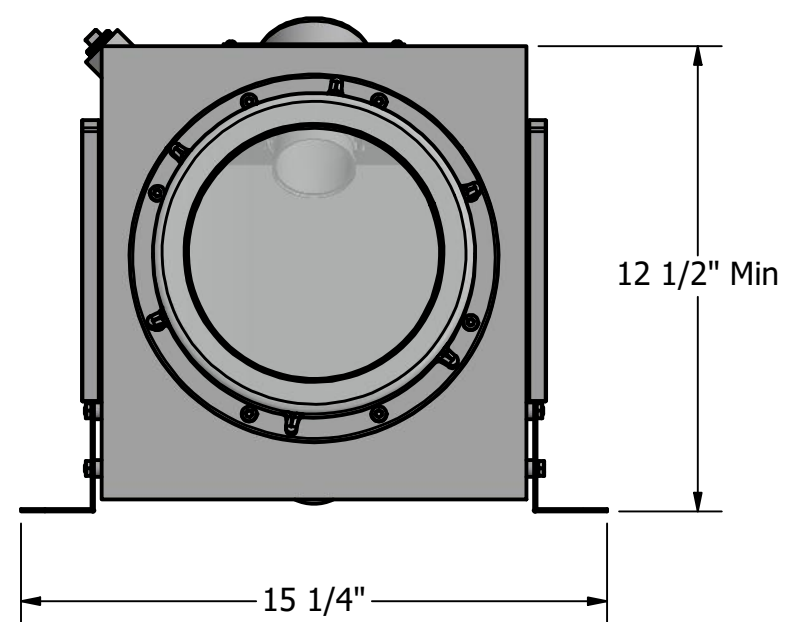
- Minimum 2" in diameter
- Minimum 3" center off the floor
- Maximum 6" center off the floor

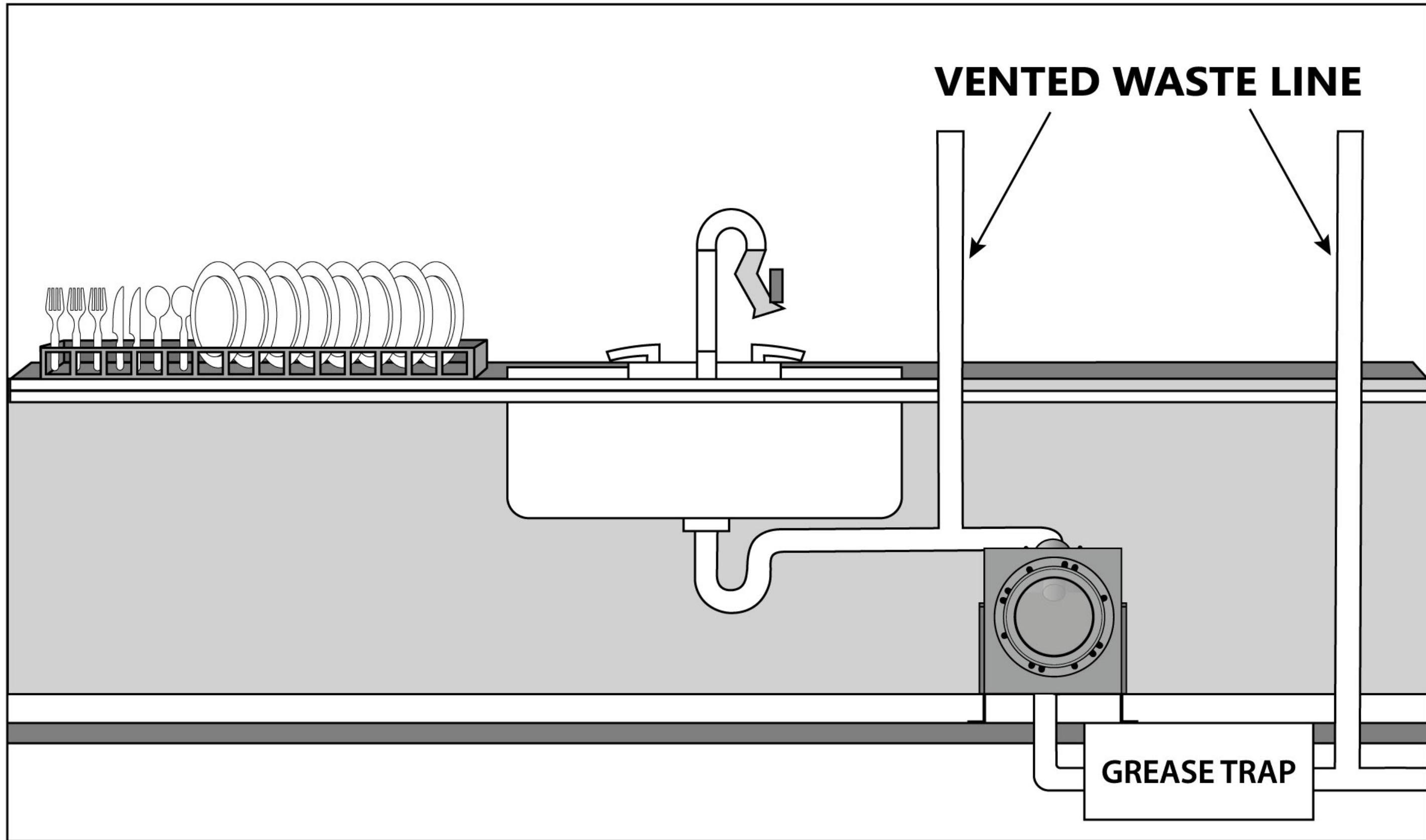
**Always verify dimensions before, as all sink heights may differ**

Le tuyau d'évacuation sortant du mur doit être :

- Minimum 2 po de diamètre
- Minimum 3 po du centre du plancher
- Maximum 6 po du centre du plancher

**Vérifiez toujours les dimensions avant, car toutes les hauteurs d'évier peuvent différer**

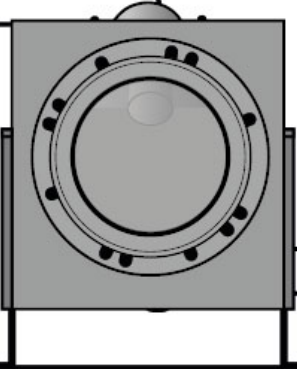
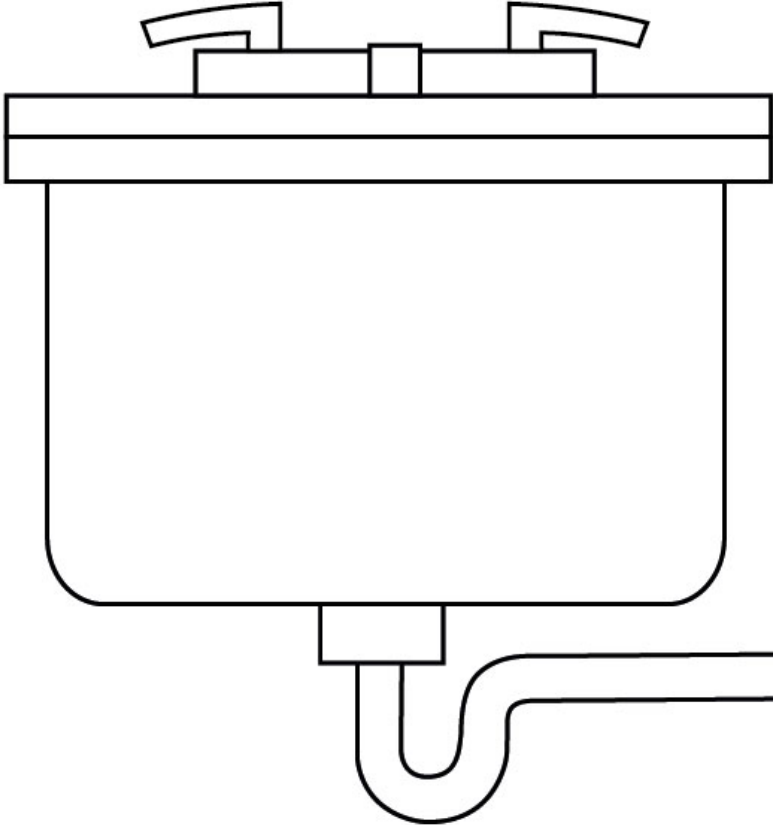
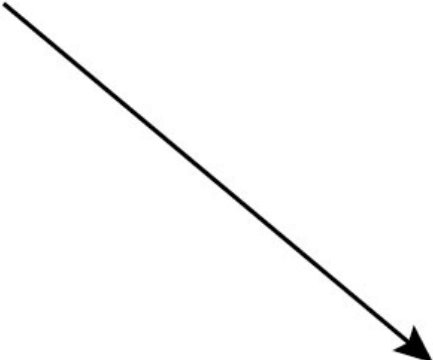
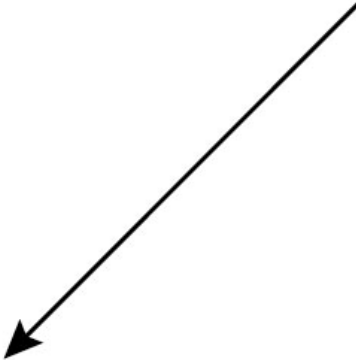




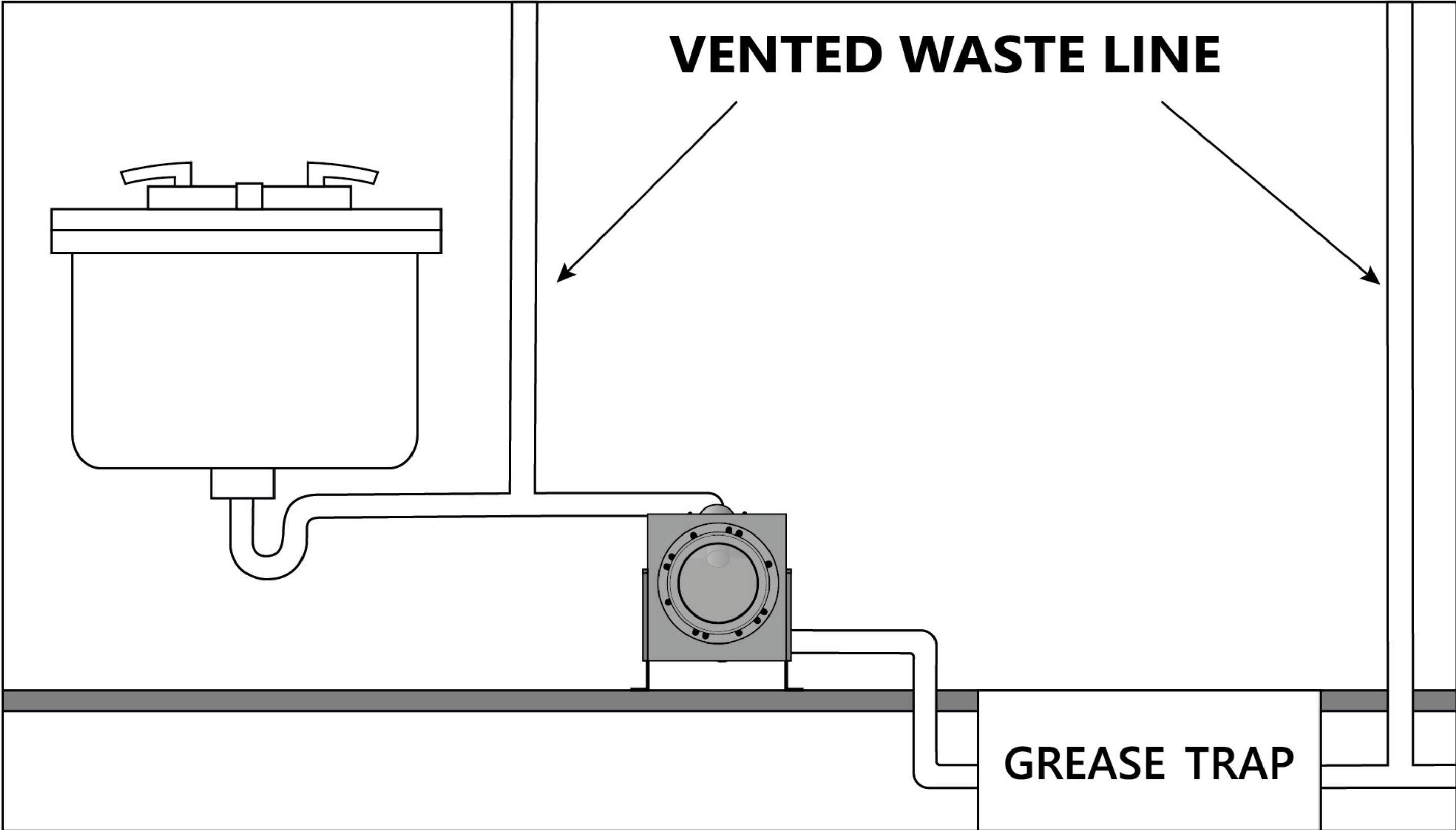
**VENTED WASTE LINE**

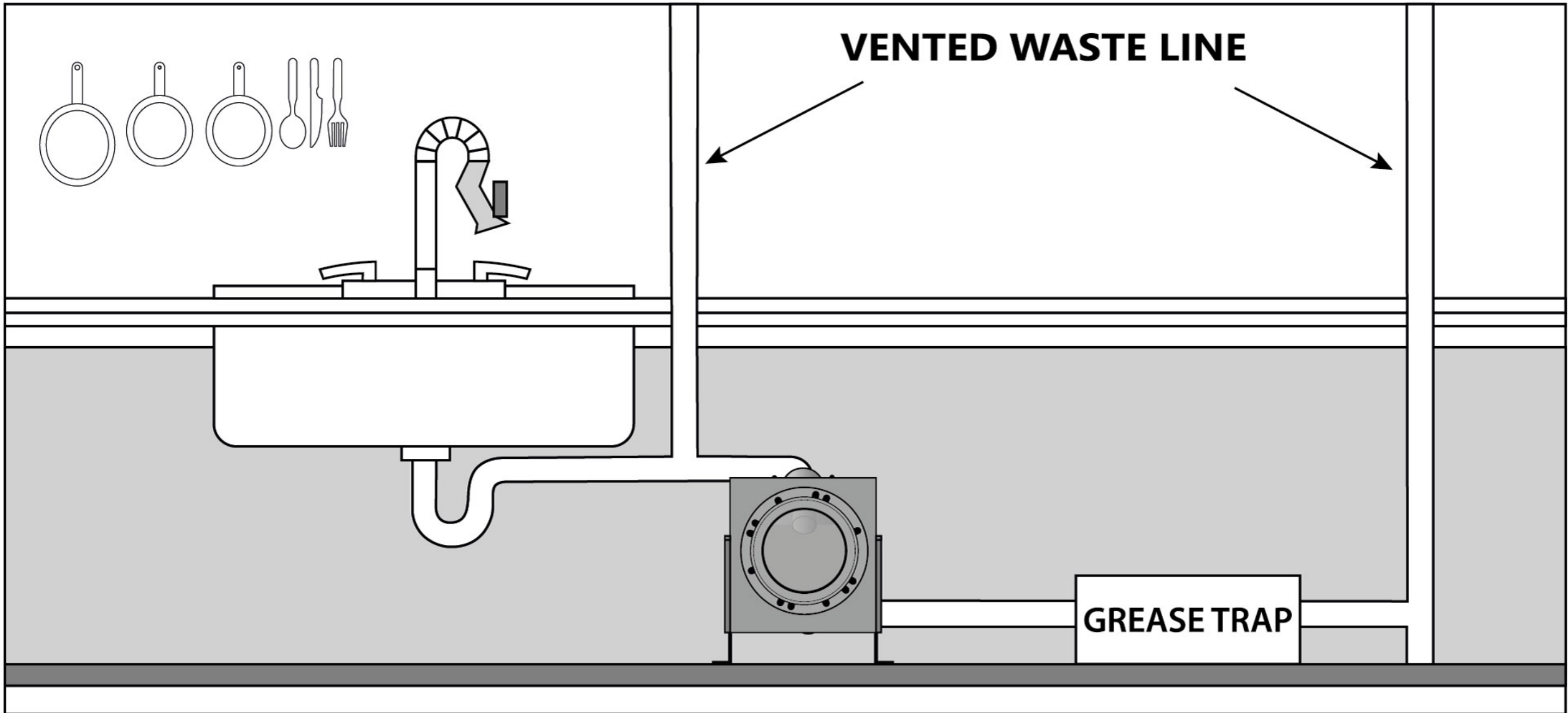
**GREASE TRAP**

**VENTED WASTE LINE**



**GREASE TRAP**

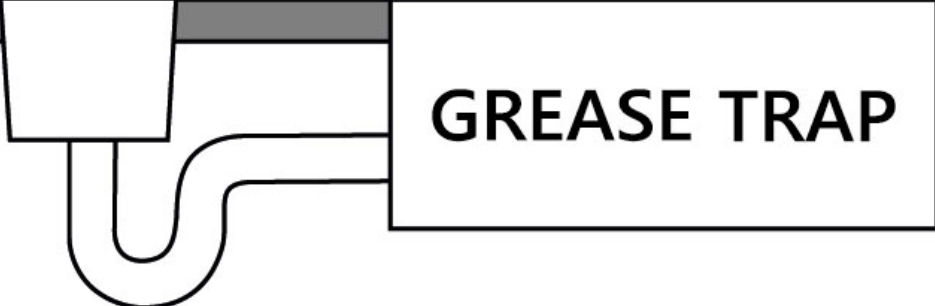
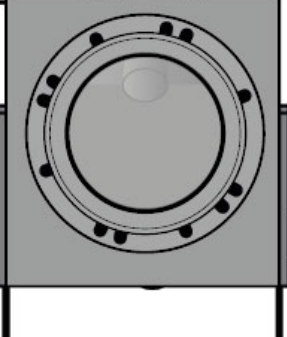
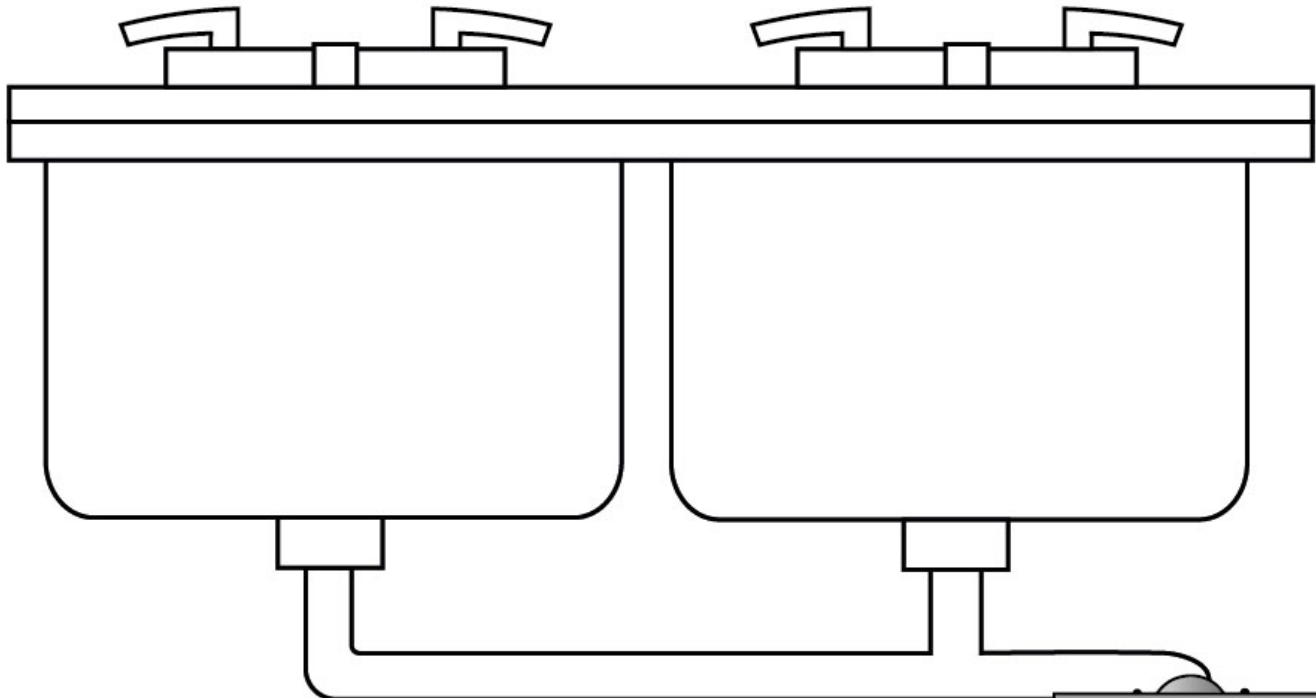
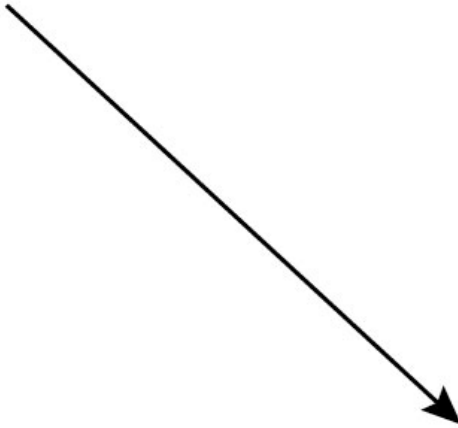




**VENTED WASTE LINE**

**GREASE TRAP**

**VENTED WASTE LINE**



**GREASE TRAP**





# TCIS Tech

AT SOURCE CONTAMINANT SOLUTIONS  
INTERCEPTION DE CONTAMINANTS À LA SOURCE



## The AMD Filter: 90% of the Market

This Acrylic Medium Density filter traps wet waste scraps and grease particles while allowing water to escape at its natural flow rate.

Recommended Installation in commercial kitchens  
(restaurants, hotels, convention centers, residences)

## The NHD Filter: 10% of the Market

This specially designed Nylon High Density filter traps small particles of wet waste scraps and grease particles while allowing water to escape at its natural flow rate.

Recommended Installation: cafés, septic tanks, dentist offices



# TCIS Tech



[www.tcistech.com](http://www.tcistech.com)



[info@tcistech.com](mailto:info@tcistech.com)



Tel.: 514-400-3344